

# Kitchen and Bath Solutions



## Norcross:

6695 Jimmy Carter Blvd,  
Suite A Norcross, GA 30071  
Phone: (478) 828-2939

## Roswell:

880 Holcomb Bridge Rd.  
Roswell, GA 30076  
Phone: (678) 218-1993



"Best Quality Cabinetry With Affordable Price"

[www.theunihouse.com](http://www.theunihouse.com)

---

## The UniqHouse

---

*We at The Uniqhouse are committed to providing one of the best kitchen and bath cabinet lines on the market at the lowest price and highest quality.*

*We strive daily to continually make ourselves better. Because we realize that our name, image and performance is an extension and reflection of what you as a customer expect.*

*We will assure you professionalism, exceptional customer service, and the great industry experience. We teamed up with best to provide the best service and In Stock local cabinets. 5 Year limited warranty.*

---

## PROMOTION

---



"Promotion is only good for Shaker White & Grey"

---

## EUROPEAN/CUSTOM CABINETS

---



**Palermo Gloss White**



**Torino Grey Wood**



**Blanco Gloss**



**Indigo Blue Gloss**

✓ LOWEST PRICE

✓ BEST LEAD TIME

✓ GREAT CONTRACTOR PRICING

✓ EXCEPTIONAL QUALITY

✓ FAST TURN AROUND

✓ IN HOUSE DESIGNERS

---

## Cabinets

---



fabuwood®

Kabinart™

STARMARK  
CABINETS



---

## Countertops

---



---

## Flooring/Tile

---



---

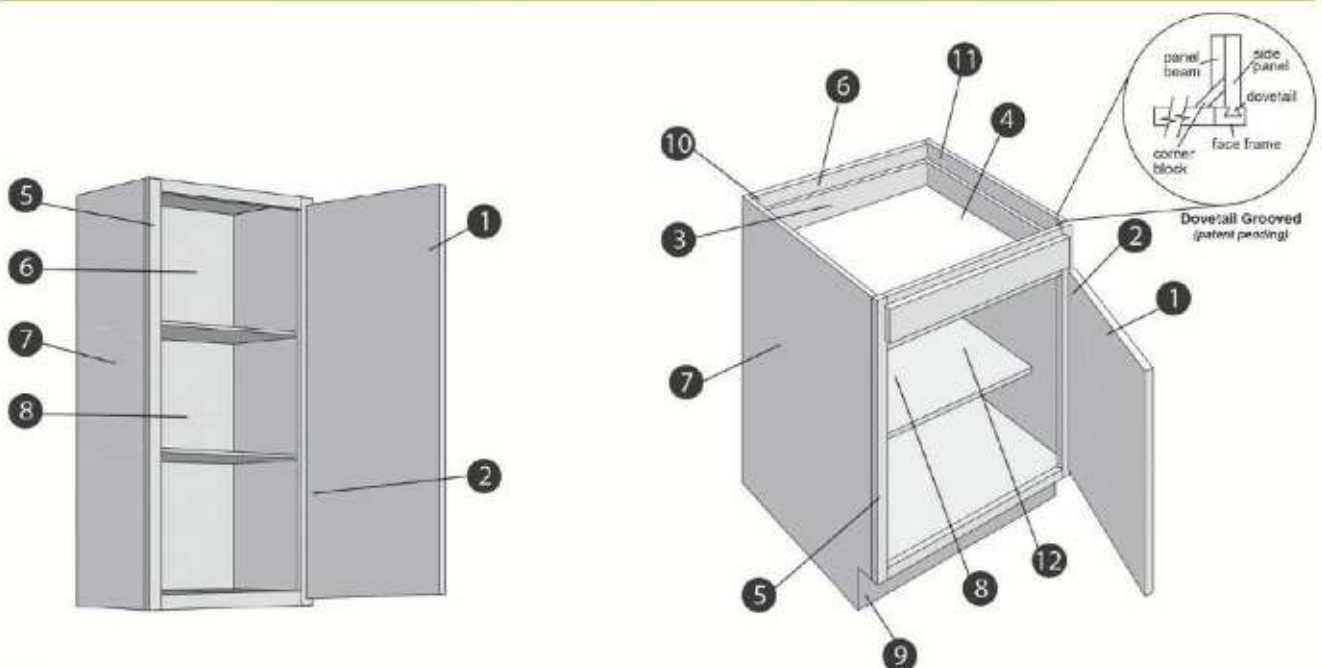
## Accessories

---





## CONSTRUCTION SPECIFICATIONS



- 1 Solid wood door frames either doweled and glued or mortise and tenon, depending on door.
- 2 6-way adjustable concealed hinge with 110° opening capability with soft close mechanism.
- 3  $\frac{5}{8}$ " solid birch dovetail drawer with a  $\frac{3}{8}$ " plywood bottom with full extension under mount soft close slides.
- 4 3" interior drawer height.
- 5  $\frac{3}{4}$ " x  $1\frac{1}{2}$ " solid wood face frame.
- 6  $\frac{1}{2}$ " select birch veneered plywood back with a natural finished interior.
- 7  $\frac{1}{2}$ " select birch veneered plywood side panels dovetailed into face frame.
- 8  $\frac{3}{4}$ " select birch veneered plywood adjustable shelving with matching wood veneer edge banding.
- 9  $\frac{3}{4}$ " x  $4\frac{1}{2}$ " solid wood toe kick finished to match exterior finish and attached to cabinet.
- 10 Wood corner blocks added for the support and mounting of a countertop.
- 11  $1\frac{1}{2}$ " x  $\frac{1}{2}$ " plywood panel beams dovetailed into the side panels for strength and stability.
- 12 Base cabinet has 18" deep shelves.

"Elite Style